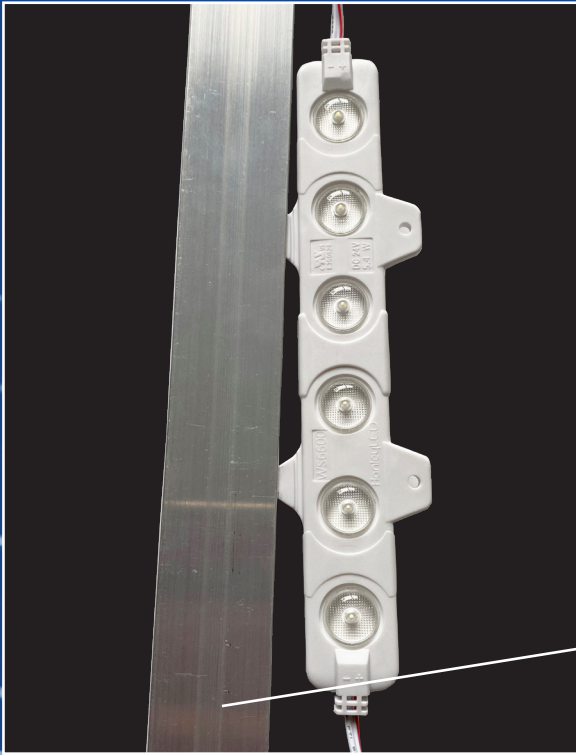
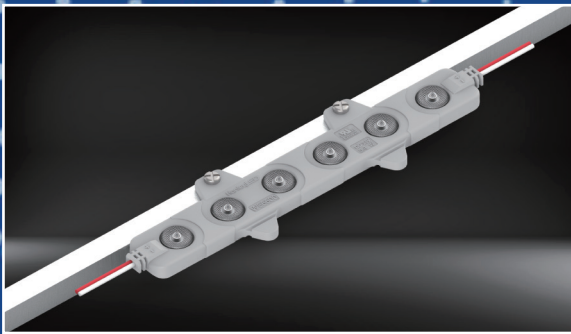


Wingspan Series WS-6600

Slides into our HLED-EXTRUSION or any 1/4" C-Channel or Divider Bar



Or screw into any square tube or extrusion of your choice.



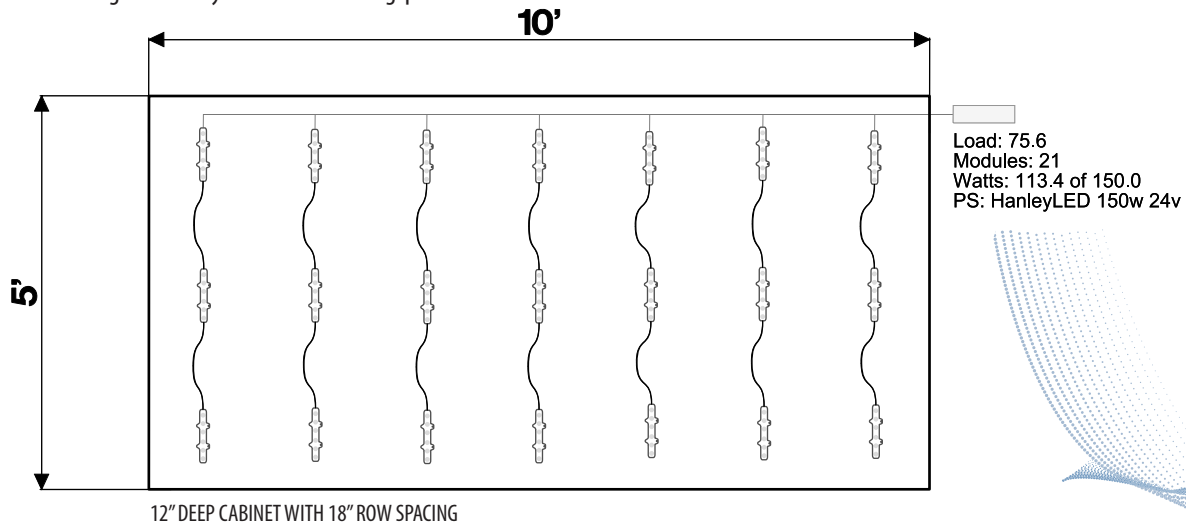
Spread Your Wings. Enjoy the FREEDOM! Wingspan 6600

HanleyLED

HanleyLED WS-6600 Features

One Size Fits All!

Custom projects come with custom challenges. Which is why you need the 1 product that does it all. Because you only need **21 modules** to illuminate a **5'x10'x12" cabinet**, you can customize your experience. Whether you are fabricating hundreds of the same cabinet or building something custom, experience true FREEDOM with the High Efficiency Double Sided Wingspan 6600.



Customize your labor

with the most versatile module for cabinet lighting. Maximize spacing for the least amount of labor ever, or customize spacing to work around internal structure and varying depths with our 175° Wingspan optics.

Customize your brightness

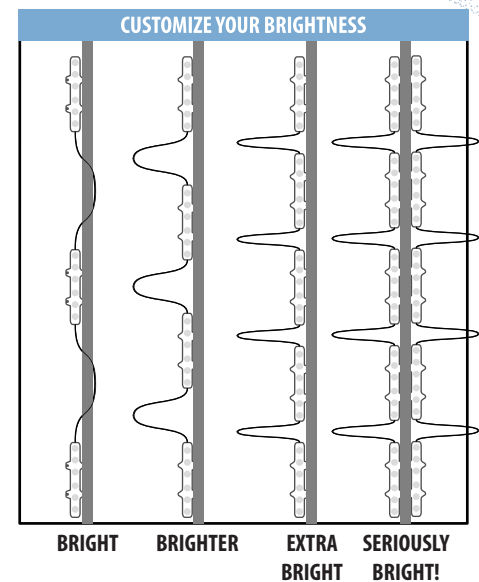
with only 1 module every 2 feet. Space Wingspan 6600 further apart or closer together for custom brightness.

Customize your power

by choosing as few or as many modules as you need.

Customize your depth

by spacing WS6600 anywhere from 5" – 18" from the face

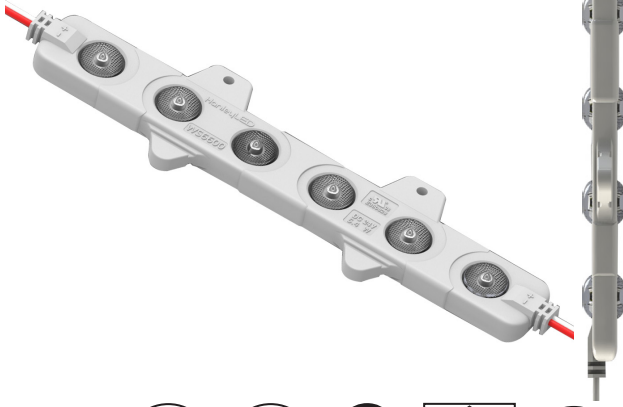


Wingspan 6600 Spacing Chart

Double Sided Depth	MAX Row Spacing
10"	13"
12"	18"
14"-15"	22"
16"-17"	24"
18"-19"	28"
20"-30"	30"

- Super Wide 175° Wingspan Optics
- Pops into any ¼" Divider Bar or C-Channel
- Wide depth range 10" – 36" Double Sided
- Efficacy: 165 lm/w
- 24 vdc
- 10yr Product / 5yr Labor Warranty

Wingspan Series WS-6600



Specifications

Viewing Angle	175°
Input Voltage	24vDC
Watts	5.4 w/mod Customizable w/ft
Luminous Efficacy	165(lm/W)
Modules/Foot	.6/ft. fully stretched Customizable up to 1 mod every 2ft
Protection Grade	IP67
Packaging	Anti-static bag, 15 modules (25 ft)/bag
Warranty	10 Year (Product) / 5 Year (Labor)
Operating Temp.	-25°~ +60 °C / -13° ~ +158 °F
Storage Temp.	-40°~ +70 °C / -40° ~ +158 °F
Cascade	15 mods single-ended power feed (pcs) 30 mods double-ended power feed (pcs)

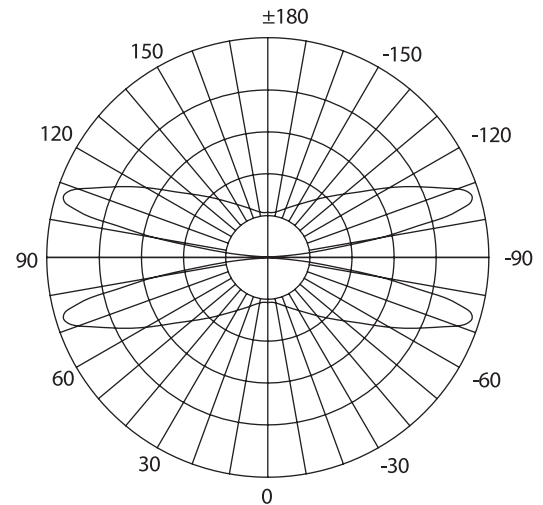
LM79 LM80 L70:5+ YEARS

Color	Part#	Color Temp	Lumens
Pure White	HLED-WS6600	7000K	891 lm/mod Customizable lm/ft

Features

- Super Wide 175° Wingspan Optics
- Customizable brightness with wide spacing between mods
- Extremely Wide depth range 10" – 36" Double Sided
- Ideal for Double Sided Pylons, Cabinets & Retrofits
- Efficacy: 165 lm/w!
- 24 vdc
- 24" Max Centers at 8" from face (may vary depending on sign face type)
- 7yr Product / 5yr Labor Warranty
- HanleyPRO Layout Creator at hanleyledsolutions.com

Light Distribution



	MAX POWER SUPPLY LOAD						
MODEL	35w 24v	60W 24v	96W 24v	100W 24v	150W 24v	240W 24v	288W 24v
WS-6600	6mods	11mods	17mods	17mods	26mods	44mods	51mods

Profile Drawings

