

HanleyLED™

Simplify Your Systems



PhoenixNRG III

Made with High Efficiency Everything!

1 watt module, 170 lumens/module

100 modules per 100w Power Supply

Exceptionally Efficient: 25% Less Power Draw – Exceptionally Bright: 25% Brighter Output

Ideal for Dual Color Letters, Single Face Cabinets or simply when “bright” is what you need

PhxNRG III is available in 12 volt only

Guaranteed life over 50,000 hours

DIY Layout Tool at hanleyledsolutions.com

See our PhxNRG I, II, and IV modules for even more savings and versatility

LM79 LM80

L70:5+ YEARS

170
lm/W

H^e
HIGH
EFFICIENCY

UL
E476250

CLASSIFIED
UL
E487794

warranty
10^P5^L

CC
constant
current

12v

PhxNRG II & IV
available in
12v & 24v

3"-12"

ideal depth

11.28.2022

High Efficiency Everything!

PhoenixNRG Series

PE-3



12v

LM79 LM80 L70:5+ YEARS

ideal depth

	MAX Power Supply Load						
Model	35W	60W	100W	120W	150W	180W	240W
PE-3	35 mods	60 mods	100 mods	120 mods	150 mods	180 mods	240 mods

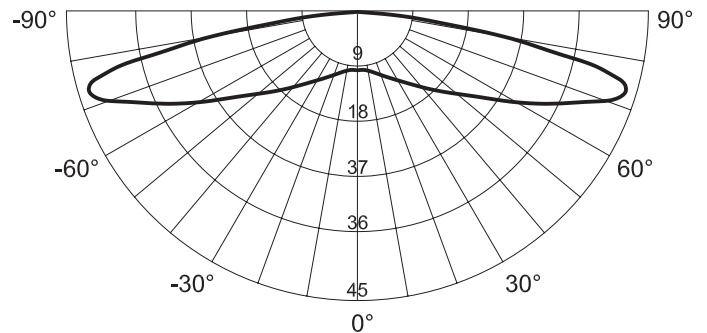
Specifications

Viewing Angle	170° Phoenix Wing Optics
Input Voltage	12vDC
Watts	1w/mod (1.5w/ft)
Luminous Efficacy	170 (lm/W)
Modules/Foot	1.5/ft (fully stretched)
Protection Grade	IP65 waterproof
Packaging	Anti-static bag, 75 modules (50ft)/bag, 5 bags/inner carton, 10 bags/outer carton
Warranty	10 Year (Product) / 5 Year (Labor)
Operating Temp.	-40° ~ +60°C -40° ~ +140°F
Storage Temp.	-40° ~ -70°C -40° ~ +158°F
Cascade	25 mods single-ended power feed 50 mods double-ended power feed

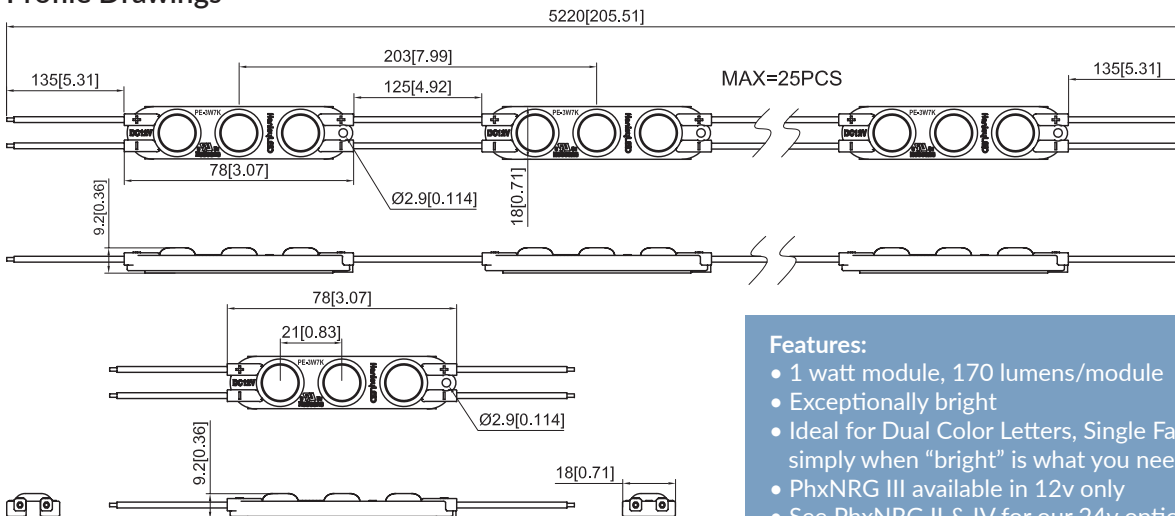
Color	Part #	Color Temp	Lumens
Pure White	HLED-PE-3	7000K	170 lm/mod (255 lm/ft)

*Additional color temps available upon special order (MOQs Apply)

Light Distribution



Profile Drawings



Features:

- 1 watt module, 170 lumens/module
- Exceptionally bright
- Ideal for Dual Color Letters, Single Face Cabinets or simply when "bright" is what you need
- PhxNRG III available in 12v only
- See PhxNRG II & IV for our 24v options
- DIY Layout Creator HanleyPRO at hanleyledsolutions.com